

FICHA TÉCNICA DATA SHEET FICHA TÉCNICA



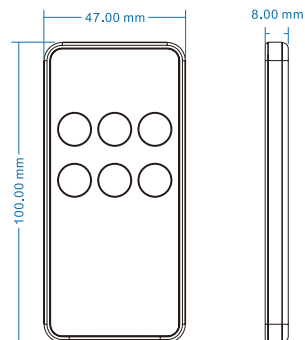
24V LED STRIPS ACCESSORIES. RH single-color remote control

Mando monocolor RF 1 zona
RF single-color remote control 1 zone
Controlo remoto RF com uma cor 1 core

5
YEAR
WARRANTY

IP20

-30° | +55°



**FT-2801
F2889**

Output signal	RF(2.4GHz)
Working voltage	3VDC(AAAX2)
Working current	<5mA
Standby current	<2μA
Standby time	2 years
Remote distance	30m